



**浩畅半导体**  
www.szhaochang.cn

**BAV16W/1N4148W**

FAST SWITCHING DIODE

产  
品  
规  
格  
书

承  
认  
书

客户确认：

公司签章：

部门	工程部	品保部	采购部
签名			
日期			



# BAV16W/1N4148W

## FAST SWITCHING DIODE

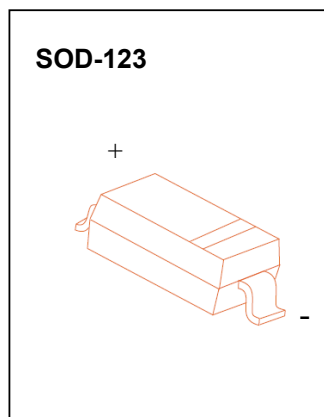
### FEATURES

- Fast Switching Speed
- Surface Mount Package Ideally Suited for Automatic Insertion
- For General Purpose Switching Applications
- High Conductance

### MARKING: T6,T4

### Maximum Ratings and Electrical Characteristics, Single Diode @T<sub>a</sub>=25°C

Parameter	Symbol	Limit	Unit
Non-Repetitive Peak Reverse Voltage	V <sub>RM</sub>	100	V
Peak Repetitive Peak Reverse Voltage	V <sub>RRM</sub>	100	V
Working Peak Reverse Voltage	V <sub>RWM</sub>		
DC Blocking Voltage	V <sub>R</sub>		
RMS Reverse Voltage	V <sub>R(RMS)</sub>	71	V
Forward Continuous Current	I <sub>FM</sub>	300	mA
Average Rectified Output Current	I <sub>O</sub>	150	mA
Peak Forward Surge Current @t=1.0μs	I <sub>FSM</sub>	2.0	A
@t=1.0s		1.0	
Power Dissipation	P <sub>d</sub>	500	mW
Thermal Resistance from Junction to Ambient	R <sub>θJA</sub>	250	°C/W
Junction Temperature	T <sub>j</sub>	150	°C
Storage Temperature	T <sub>STG</sub>	-55~+150	°C



### Electrical Ratings @T<sub>a</sub>=25°C

Parameter	Symbol	Min	Typ	Max	Unit	Conditions
Forward voltage	V <sub>F1</sub>			0.715	V	I <sub>F</sub> =1mA
	V <sub>F2</sub>			0.855	V	I <sub>F</sub> =10mA
	V <sub>F3</sub>			1.0	V	I <sub>F</sub> =50mA
	V <sub>F4</sub>			1.25	V	I <sub>F</sub> =150mA
Reverse current	I <sub>R1</sub>			1	μA	V <sub>R</sub> =75V
	I <sub>R2</sub>			25	nA	V <sub>R</sub> =20V
Capacitance between terminals	C <sub>T</sub>			2	pF	V <sub>R</sub> =0V, f=1MHz
Reverse recovery time	t <sub>rr</sub>			4	ns	I <sub>F</sub> =I <sub>R</sub> =10mA I <sub>rr</sub> =0.1X I <sub>R</sub> , R <sub>L</sub> =100Ω

# BAV16W/1N4148W

## Typical Characteristics

